



**VOLUME 1 (OF 2)**

**INTERNATIONAL RULES FOR  
UNDERWATER HOCKEY**

**TOURNAMENT REGULATIONS AND PLAYING  
AREA REQUIREMENTS**

**Version 1.3  
March 2009**

**Volume 1: Tournament Regulations and Playing Area Requirements**

*Volume 2: Rules of Play*



## **REVISION HISTORY**

v1.01 2006  
v1.3 March 2009

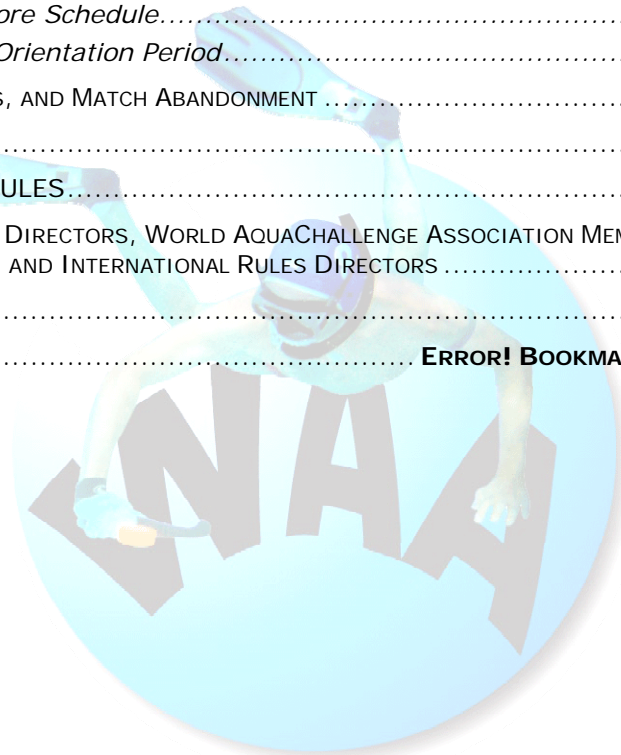
## **AMENDMENT HISTORY**

<b>Section</b>	<b>Changes</b>	<b>Passed</b>
1.2.2.1 & 1.2.2.2	Removed age restrictions referred to in these sections.	Durban 2008
1.2.2.5 & 1.2.2.6	Various: Alteration to make Junior Grades U18 by changing age limits to 14-17 years old inclusive	Durban 2008
1.2.5	Added new rule re mandatory date for World Championships.	Durban 2008
1.4	Various: Altered player eligibility rules for National representation.	Durban 2008
Various	Various: Amendments to sections dealing with 'Delay of Game'/'Corner Rule'.	Durban 2008
11.3.3.1	Alterations to rule regarding glove colours.	Durban 2008
11.3.7	Various: Alterations to relax rules affecting stick materials.	Durban 2008
14.1.1	Reworded rule defining 'possession'.	Durban 2008
14.2.1.1	Added new rule re determination of game result.	Durban 2008
14.2.3.2	Clarified rule on stop clock during last 2 minutes of timed play periods.	Durban 2008
15.2	Added new rule formalising 'free substitution' after a goal has been scored.	Durban 2008
17.4.4	Added new rule requiring reporting of players/coaches receiving total game dismissals, to a Tournament Jury.	Durban 2008



## **TABLE OF CONTENTS**

1.0 DESCRIPTION, DEFINITIONS, AGE, AND ELIGIBILITY.....	4
1.1 Description.....	4
1.2 Tournaments, Championships, and Division Age Requirements .....	4
1.3 Age Determination and Exceptions .....	4
1.4 Federation and Player Eligibility.....	5
2.0 PLAYING AREA (SEE FIGURES 2A - 2E) .....	6
2.1 Playing Area.....	6
3.0 GOALS (SEE FIGURE 3A) .....	12
4.0 TOURNAMENT PLAY SCHEDULE AND RANKING.....	14
4.1 Eight Day or Fewer Schedule. ....	14
4.2 Nine Day or More Schedule.....	15
4.3 Length of the Orientation Period.....	15
5.0 PROTESTS, APPEALS, AND MATCH ABANDONMENT .....	17
6.0 RULING BODY.....	19
7. AMENDMENT OF RULES.....	20
8.0 FEDERATION RULES DIRECTORS, WORLD AQUACHALLENGE ASSOCIATION MEMBERS, RULES COMMISSION DELEGATES, AND INTERNATIONAL RULES DIRECTORS .....	21
9.0 (RESERVED).....	26
10.0 INDEX .....	<b>ERROR! BOOKMARK NOT DEFINED.</b>





## **1.0 DESCRIPTION, DEFINITIONS, AGE, AND ELIGIBILITY**

### **1.1 Description**

1.1.1 Underwater Hockey is a sport played on the bottom of a swimming pool by two teams of six players, each wearing basic snorkelling equipment, i.e. fins, mask, and snorkel. The object of the match is to use an approved stick to push or pass an approved puck along the bottom of the pool, into the opposing team's goal.

### **1.2 Tournaments, Championships, and Division Age Requirements**

1.2.1 A **Tournament** is a series of competitive matches between two (2) or more teams at any one given time.

1.2.2 **World Championship**: an international competition may be registered as a "World Championship" with WAA if two or more of the following requirements are met:

1.2.2.1 A minimum of five (5) Federation teams for the Men's Division. **and/or**

1.2.2.2 A minimum of three (3) Federation teams for the Women's Division with no age limit. **and/or**

1.2.2.3 A minimum of three (3) Federation teams for the Open Master's Division. Minimum age is 35 (male and female) and players must have attained his/her 35<sup>th</sup> birthday on or before the first match of the competition. There is no upper age limit. Competitors may be mixed gender of any combination. **and/or**

1.2.2.4 A minimum of three (3) Federation teams for **Women's Master's Division**. Minimum age is 32 and players must have attained her 32<sup>nd</sup> birthday on or before the first match of the competition. There is no upper age limit. **and/or**

1.2.2.5 A minimum of three (3) Federation teams for the **Open Junior's Division**. The age category is 14-17 inclusive. Players must have attained his/her limiting birthday on or before the first match of the competition. Competitors may be of mixed gender in any combination. See section 1.3.1 for exceptions for players of younger than 14 y.o. **and/or**

1.2.2.6 A minimum of three (3) Federation teams for the **Junior Women's Division**. The age limits are 14-17 inclusive. Players must have attained her limiting birthday on or before the first match of the competition. See section 1.3.1 for exceptions for players of younger than 14 y.o.

**and/or**

1.2.2.7 A minimum of three (3) Federation teams for the **Open Cadet's Division**. Maximum age is 13 inclusive. Players must have attained his/her limiting birthday on or before the first match of the competition. Competitors may be of mixed gender in any combination.

1.2.3 A Continental or Zone Competition is a tournament between nations of the same Continent or Zone.

1.2.4 The International Referee in control of the overall refereeing at a World or Zone Championship shall be termed the **World Tournament Referee**.

1.2.5 Preferred dates for the World Championships will be during the month of July in even years, starting and concluding within the two week period either side of 15 July. Inclusive of scheduled training days the tournament shall be no longer than 14 calendar days in duration.

### **1.3 Age Determination and Exceptions**

1.3.1 Age Exceptions

1.3.1.1 A player whose age would place them in Open Cadet, Open Junior, or Junior Women divisions may compete in the immediately higher appropriate division only if both of the following requirements are met:



- 1.3.2.1.1 Before the start of any match of the Tournament, a signed written agreement by the player is given to the World Tournament Director. If the competitor is a minor, the agreement is additionally signed by a parent or a legal guardian; and
- 1.3.2.1.2 Before the start of any match of the Tournament, a medical certificate signed by a licensed medical official stating that the player may compete in the immediately higher appropriate division is given to the World Tournament Director.

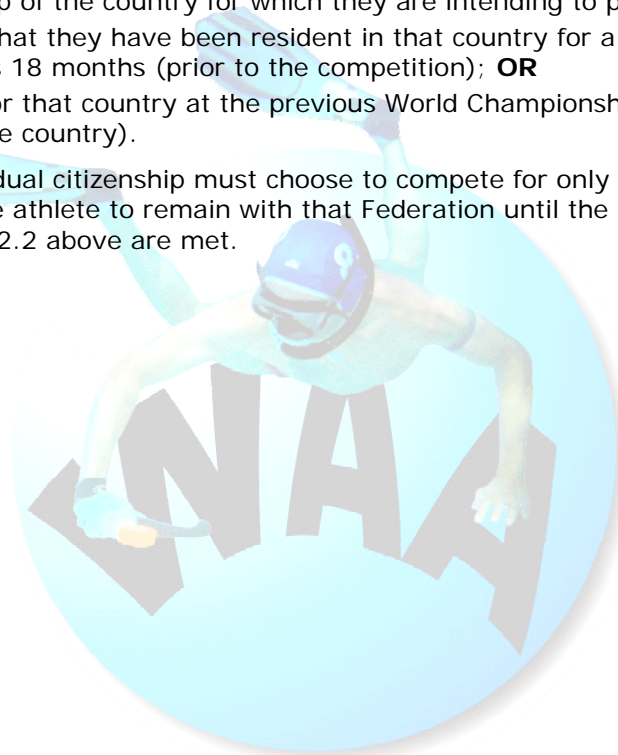
#### **1.4 Federation and Player Eligibility**

##### 1.4.1 Federation Eligibility for Tournaments

- 1.4.1.1 Only Nations that have their Federations properly registered with WAA may compete in a WAA tournament.

##### 1.4.2 Athletes must either:

- 1.4.2.1 Hold citizenship of the country for which they are intending to play; **OR**
  - 1.4.2.2 Submit proof that they have been resident in that country for a minimum of 12 months in the previous 18 months (prior to the competition); **OR**
  - 1.4.2.3 Have played for that country at the previous World Championships (even if currently living out of the country).
- 1.4.3 Athletes holding dual citizenship must choose to compete for only one Federation. This choice obliges the athlete to remain with that Federation until the requirements of either of 1.4.2.1 or 1.4.2.2 above are met.





## **2.0 PLAYING AREA (see Figures 2A - 2E)**

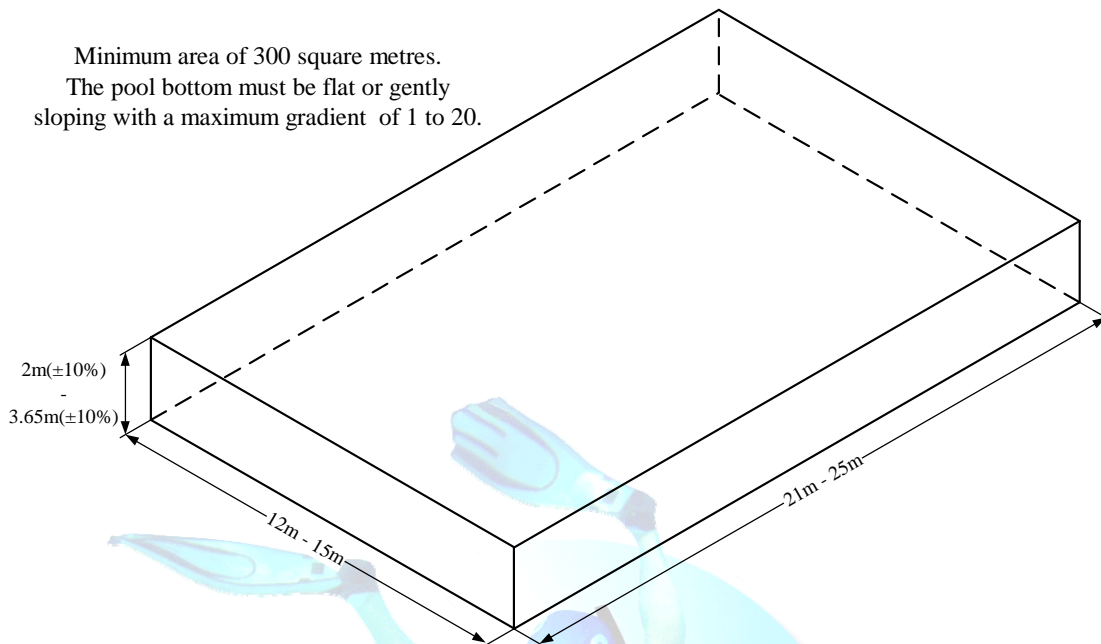
### **2.1 Playing Area**

- 2.1.1 The playing area shall be a swimming pool or part thereof.
- 2.1.2 The playing area shall be 12m-15m wide and 21m-25m long, provided that the minimum playing area is 300 square metres.
- 2.1.3 The pool bottom must be flat or gently sloping with a maximum gradient of 1 to 20.
- 2.1.4 The depth of the water shall be between 2m and 3.65m inclusive, with a  $\pm 10\%$  allowance with the approval of the World Tournament Director. Pools shallower than 2m must be considered "fast and safe" by the World Tournament Director.
- 2.1.5 The end lines must be of a solid nature, i.e. pool walls.
- 2.1.6 A sideline may be either a pool wall, sturdy barrier, or a demarcation line on the pool bottom.
  - 2.1.6.1 The barrier should have a minimum height of 300mm.
  - 2.1.6.2 A floating line will **not** be immediately above a demarcation line on the bottom to mark the sideline on the surface. The floating line must be outside the playing area.
  - 2.1.6.3 The demarcation line belongs to the playing area.
  - 2.1.6.4 For World Championships, sturdy barriers or walls are essential. For Zone for other tournaments, a sturdy barrier or wall is preferred. However, if not possible, a demarcation line is acceptable.
- 2.1.7 At each end of a playing area, centred on the mid-point of the end line, a penalty shot area will be marked by a dotted line on the pool bottom to define a semi-circle with a 6m radius, and a goal area will be marked by a solid line on the pool bottom to define a semi-circle with a 3m radius.
- 2.1.8 A Penalty Spot shall be marked in the middle of a 3m arc.
- 2.1.9 A Centre Spot shall be marked in the geometric centre of the playing area
- 2.1.10 The "corner" is defined as that part of the playing area bounded by the side and end walls (or side and end lines) and a circular arc of 1 metre radius whose centre is at the intersection (or projected intersection in the case of a curved corner) of the side and end walls (or side and end lines). There are four such 'corners' in a single playing area.



**FIGURE 2A PLAYING AREA DIMENSIONS**

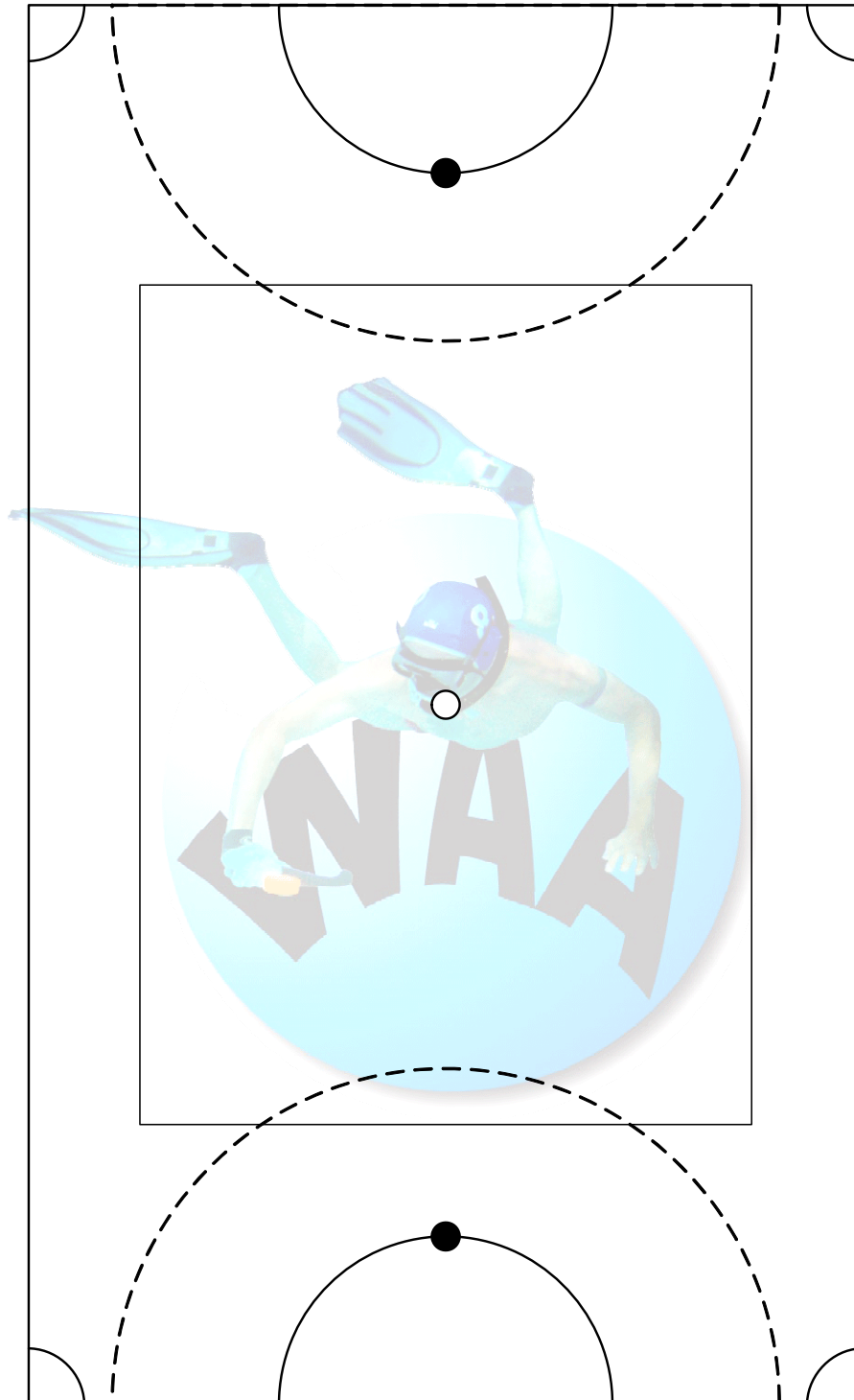
Minimum area of 300 square metres.  
The pool bottom must be flat or gently sloping with a maximum gradient of 1 to 20.



The depth of the water shall be between 2m and 3.65m, with a  $\pm 10\%$  allowance with the approval of the World Tournament Director. Pools shallower than 2m must be considered "fast and safe" by the World Tournament Director.



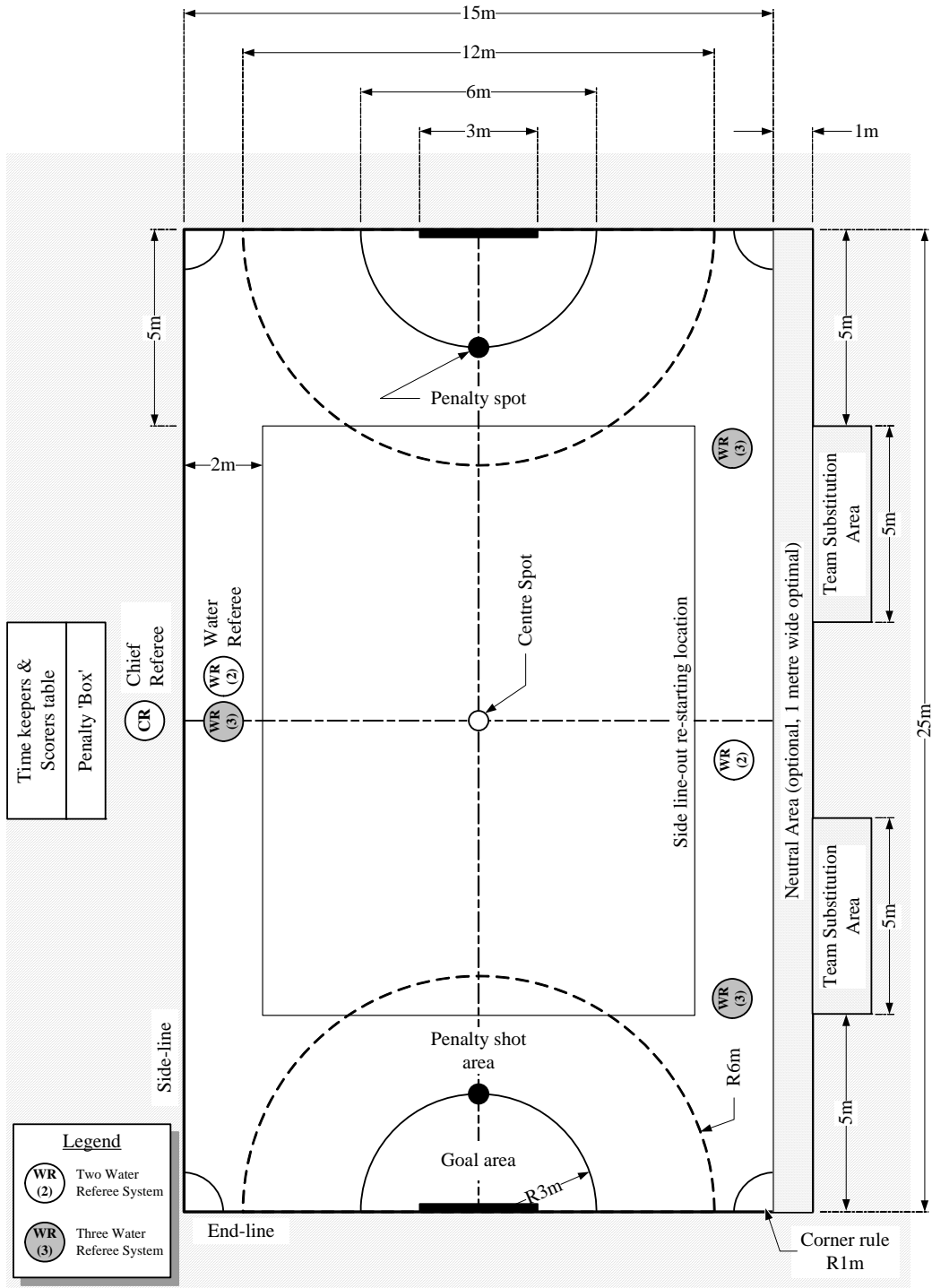
**FIGURE 2B** **PLAYING AREA MARKINGS**





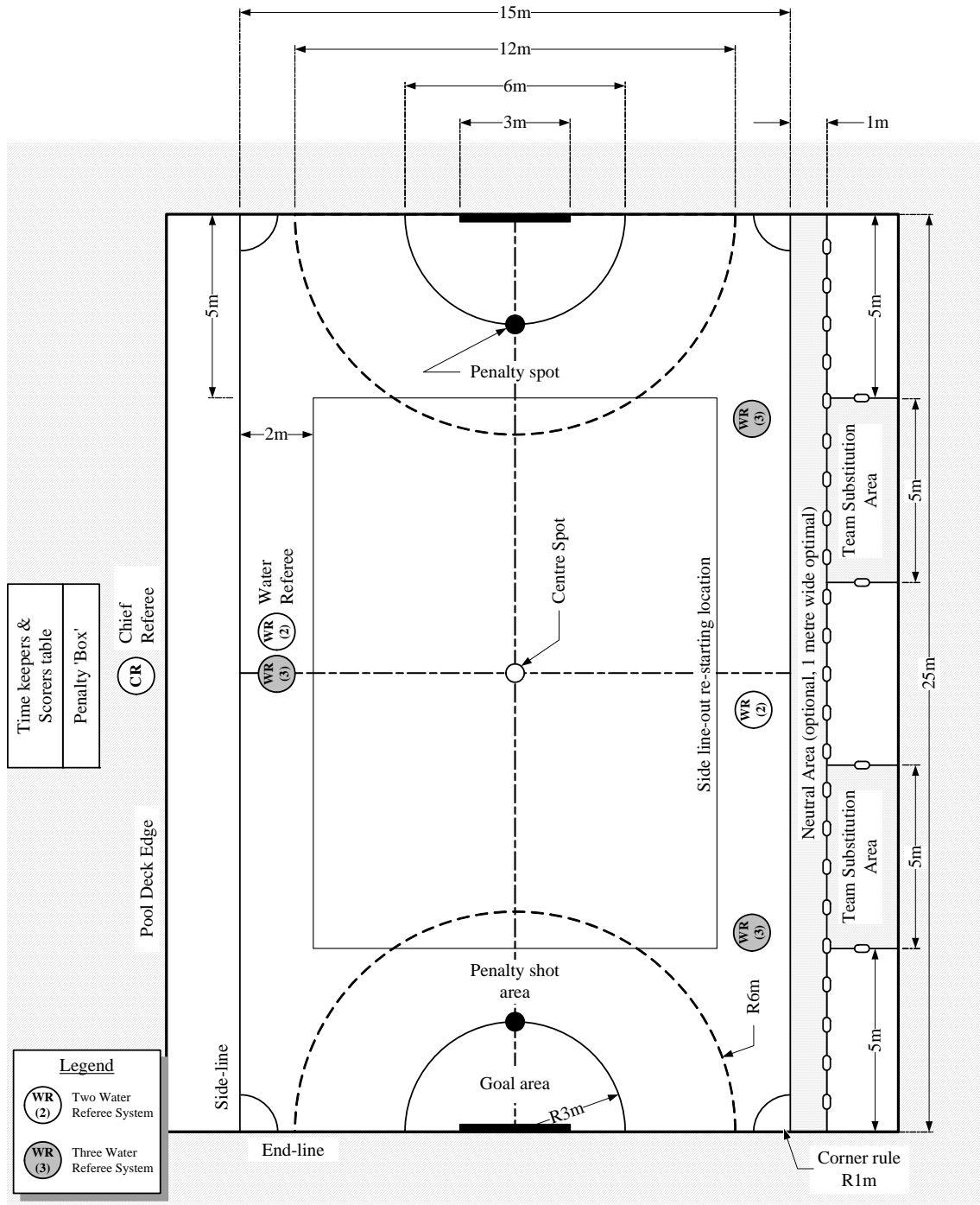


**FIGURE 2C PLAYING AREA LAYOUT: DECK SIDE-SUBSTITUTION**





**FIGURE 2D PLAYING AREA LAYOUT: IN-WATER SIDE-SUBSTITUTION**



Time keepers & Scorers table  
Penalty 'Box'

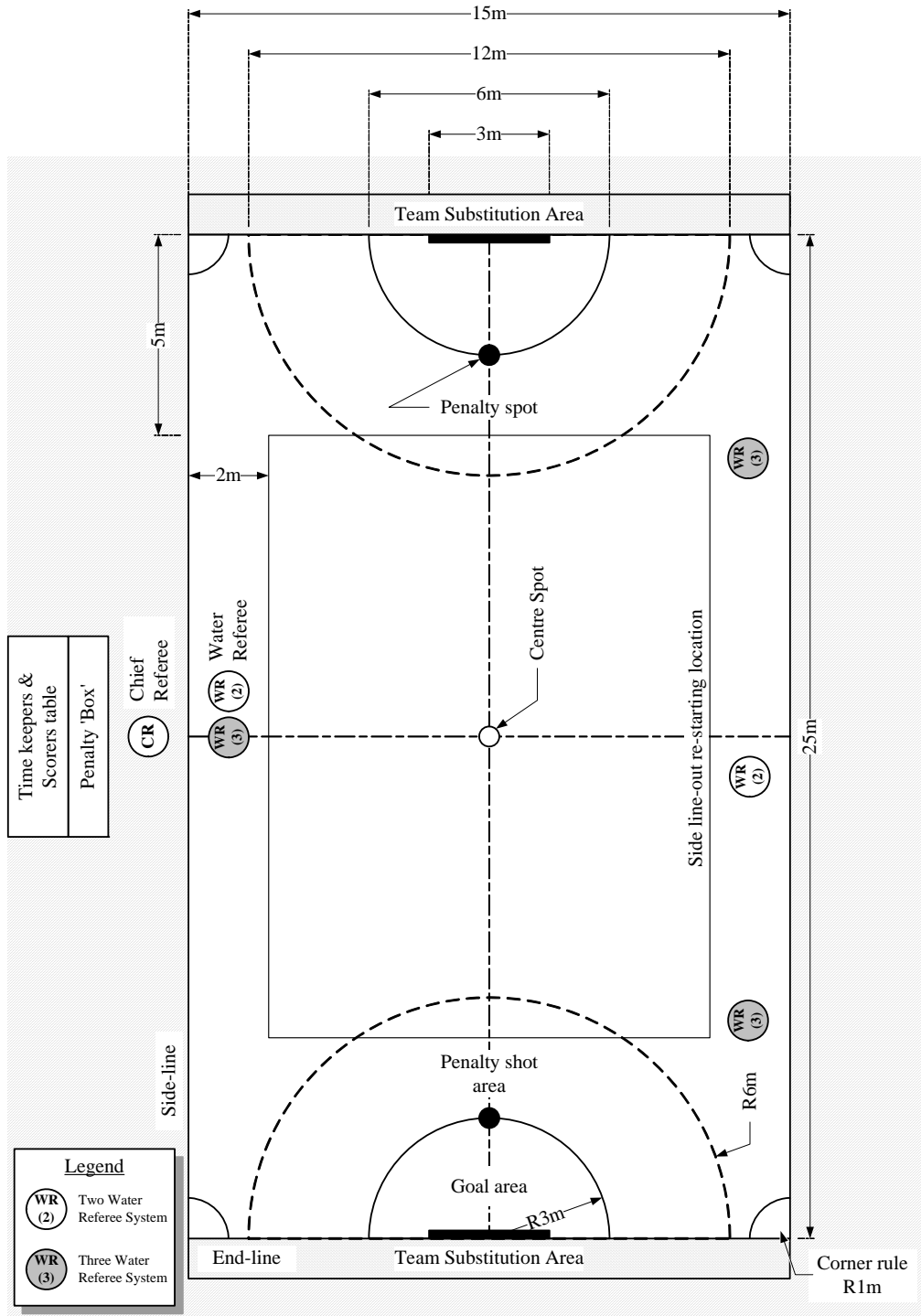
Chief Referee (CR)

Pool Deck Edge

**Legend**  
 (WR (2)) Two Water Referee System  
 (WR (3)) Three Water Referee System



**FIGURE 2E PLAYING AREA LAYOUT: END-LINE SUBSTITUTION**





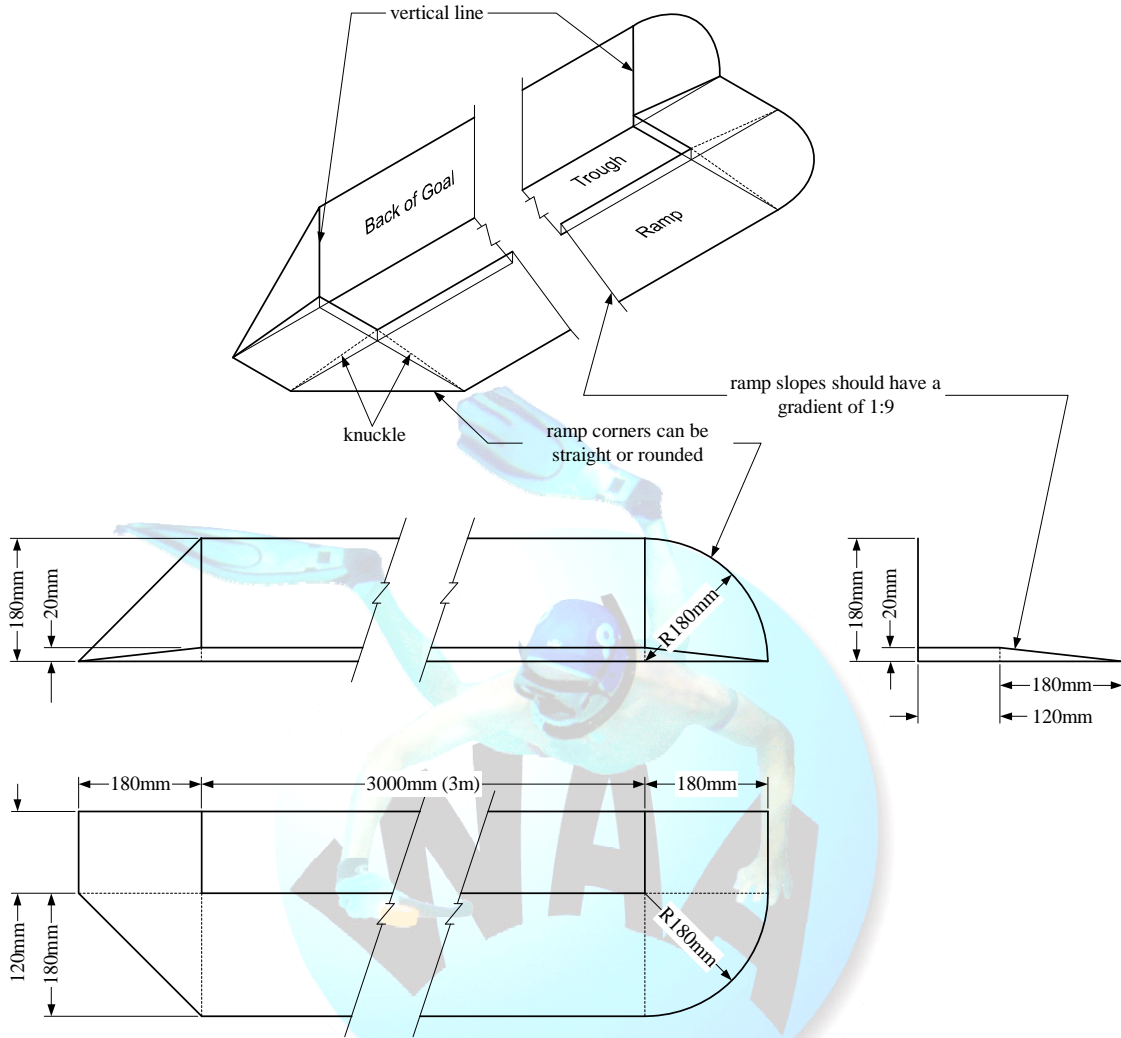
**3.0 GOALS (see Figure 3A)**

- 3.1 Shall be made of galvanised or stainless steel (of 2mm minimum thickness sheet metal) or similar frames. All sharp edges shall be removed and/or protected.
- 3.2 Open-ended goals will be used.
- 3.3 Shall be 3.36m long, with a trough of 3m, placed in the centre of each end line, and secured in position.
- 3.4 The area behind the anterior lip of the goal is called the trough.
- 3.5 The goal back must have two (2) vertical lines marking the 3m limits of the goal volume.





**FIGURE 3A THE GOALS**





## **4.0 Tournament Play Schedule and Ranking**

### **4.1 Eight Day or Fewer Schedule.**

#### 4.1.1 General

4.1.1.1 Each team will play no more than three (3) matches per day.

4.1.1.2 Eight (8) playing days are allowed.

4.1.1.3 Five and one-half days (5.5 days) for play.

4.1.1.4 Two and one-half days (2.5 days) for play-offs.

#### 4.1.2 Number of teams in tournament.

4.1.2.1 If twelve (12) or fewer teams participate in a division, a full round robin will be scheduled.

4.1.2.2 If thirteen (13) or more teams participate in a division, a split round robin will be played. Seeding of teams will be necessary.

#### 4.1.3 Seeding.

4.1.3.1 Seeding will be based on final placing at the immediately previous World Championships.

4.1.3.2 In divisions with thirteen to nineteen teams (13-19), play will be divided into two (2) Sections, A and B.

4.1.3.2.1 Section A will consist of the top eight (8) seeded teams from the immediately previous World Championships.

4.1.3.2.2 Section B will consist of the remaining previously participating teams plus new and/or non-participating teams seeded by draw.

#### 4.1.4 Section Play.

4.1.4.1 Section A will play a full round robin (7 matches each).

4.1.4.2 Section B will play a full round robin.

4.1.4.3 Inter-Section play will be scheduled (a maximum of fifteen (15) total matches/team) to allow maximum mixing of the Sections in the round robin.

4.1.4.3.1 Inter-section matches do not count toward play-off status and are not compulsory.

4.1.4.3.2 If a team from Section A decides not to participate in an Inter-Section match, that time-slot and pool space is given to the team from section B to schedule another match with any other willing team willing. That game will not count toward seeding.

4.1.4.3.3 If a team from Section B decides not to participate in an Inter-Section match, no match may be scheduled for that time-slot or pool space.

4.1.4.3.4 Under no circumstances if no match is played during an Inter-Section match time-slot may a practice session be held by any team or player(s) participating in the tournament.

4.1.4.4 Matches will be scheduled to spread play as evenly as possible, but some teams may play one match less depending on the number of entries.

4.1.4.5 Inter-Section matches will be assigned by random drawing at a meeting with team representatives present as early as possible during the practice week.

#### 4.1.5 Points to determine play-off status and ranking.

4.1.5.1 Points awarded as follows:

#### **Intra-Section Match Points**

Win	+2 points
Tie	+1 point
Loss	0 points
Forfeit	-2 points



#### 4.1.6 Sectional Play-offs.

- 4.1.6.1 The top four (4) Section B teams will play the bottom four (4) Section A teams.
- 4.1.6.2 The 5th Seed from Section A plays the 4th Seed from Section B; the winning team becomes the 5th Seed in the Championship bracket, and the losing team becomes the 4th Seed in the consolation bracket.
- 4.1.6.3 The 6th Seed from Section A plays the 3rd Seed from Section B; the winning team becomes the 6th Seed in the Championship bracket, and the losing team becomes the 3rd Seed in the consolation bracket.
- 4.1.6.4 The 7th Seed from Section A plays the 2nd Seed from Section B; the winning team becomes the 7th Seed in the Championship bracket, and the losing team becomes the 2nd Seed in the consolation bracket.
- 4.1.6.5 The 8th Seed from Section A plays the 1st Seed from Section B; the winning team becomes the 8th Seed in the Championship bracket, and the losing team becomes the 1st Seed in the consolation bracket.

#### 4.1.7 Championship Play.

- 4.1.7.1 The Championship bracket consists of the top four Sectional Play-off winners plus the top four Section A teams.
- 4.1.7.2 The Championship bracket will play a "Multilevel Tournament with Eight Entries" play-off with complete losers bracket determining all places (see Figure 4A).
- 4.1.7.3 There will be a consolation bracket for all remaining teams, so all participating teams are seeded for the following World Championships.

#### 4.1.8 Breaking a tie in ranking

- 4.1.8.1 If two teams are tied in ranking, the tie breaking procedure is as follows:
  - 4.1.8.1.1 Head to head competition
  - 4.1.8.1.2 Most number of wins in the intra-section matches. Team with the most wins is ranked higher.
  - 4.1.8.1.3 Least number of losses. Team with the least losses is ranked higher.
  - 4.1.8.1.4 Least sum of points allowed in all matches in the intra-section matches. Team allowing the least number of goals is ranked higher.
  - 4.1.8.1.5 Coin toss
- 4.1.8.2 In the event of three or more equally ranked teams without a clear ranking by head to head competition, use procedures 4.1.8.2 through 4.1.8.4 inclusively to eliminate teams three through the last tied team. When two teams remain, go through steps 1 through 5 again to rank the remaining 2 teams.

## **4.2 Nine Day or More Schedule**

World Championships have historically been held over a two week period. Through 2002 (Calgary, Canada) the tournament itself was restricted to the last eight days of that period. The time interval before those eight days was used for "Championship Orientation" by Federations to become adjusted to time-zone changes and pool-bottom conditions. At the Underwater Hockey Commission Meeting in Calgary (2002) it was voted unanimously that the Championship Orientation could be limited to a minimum of three days in order to allow more than eight tournament days to allow additional teams in divisions or new Federations to participate in the two week festival.

## **4.3 Length of the Orientation Period**

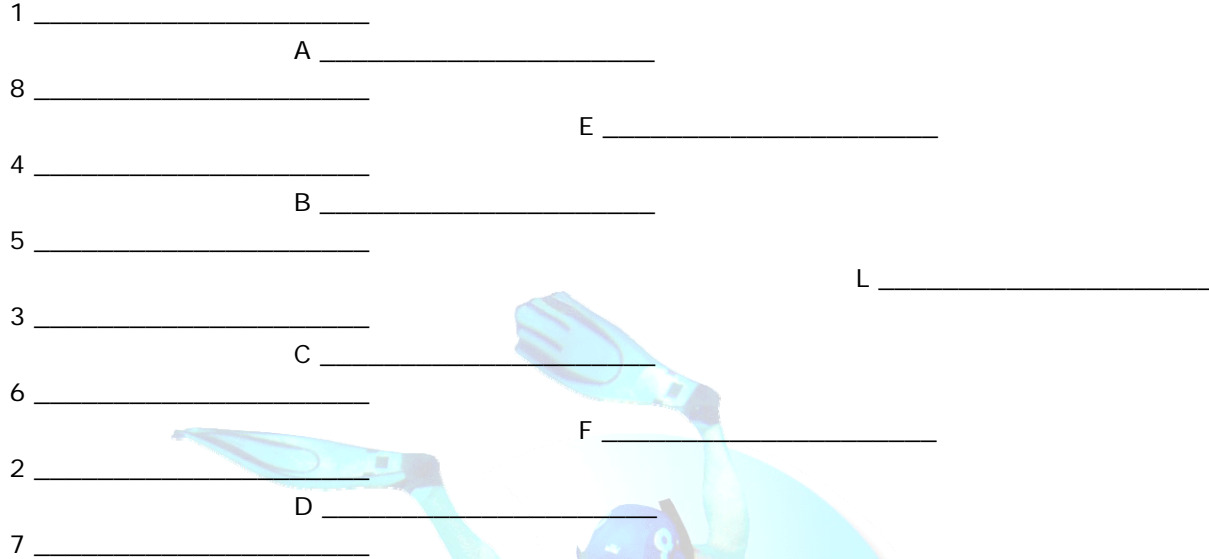
- 4.3.1 A minimum of 3 days will be allowed for Championship orientation.



**Figure 4A MULTILEVEL TOURNAMENT WITH EIGHT ENTRIES**

Seeding of Championship Bracket

**Match L determines the World Champion and second place.**



**Match I determines third and fourth place.**

Loser of match E \_\_\_\_\_

Loser of match F \_\_\_\_\_

**Match K determines fifth and sixth place.**

Loser of match A \_\_\_\_\_

Loser of match B \_\_\_\_\_

Loser of match C \_\_\_\_\_

Loser of match D \_\_\_\_\_

**Match J determines seventh and eighth place.**

Loser of match G \_\_\_\_\_

Loser of match H \_\_\_\_\_







## **5.0 Protests, Appeals, and Match Abandonment**

### **5.1 Protest During a Match**

- 5.1.1 Should a protest be made by a Team Captain or a Team Manager about the conduct of a match whilst it is in play, the Chief Referee shall stop play, consult the Water Referees and others as may be necessary, consider the factual evidence presented, announce a decision to all parties, and resume play.
- 5.1.2 If a player receives a penalty, only the Team Captain can protest to the Water Referee. This will not constitute "refusing to accept any decisions made by the Officials"; thus, it does not merit the award another penalty for breaking Rule 17.3.16. If after receiving an explanation, the player refuses to go to the penalty box, such action may constitute "refusing to accept decisions made by Officials". The player will go immediately to the penalty area, and let the Team Captain protest the matter to the Chief Referee. After consultation, and the Chief Referee's announcement of a decision, the team captain will no longer protest the issue, so that the match can be resumed. An appeal can be made following the match if necessary.

### **5.2 Appeal After a Match**

- 5.2.1 Only the team Captain or Chief Coach may put forward a claim.
- 5.2.2 The claim must be announced to the Tournament Director within 15 minutes of the end of the match. The written complaint in English, French, or Spanish, must be submitted to the Tournament Director within an hour of the end of the contested match.
- 5.2.3 The written claim must be accompanied by a deposit of EUR 100 or equivalent in cash.
- 5.2.4 If the above mentioned requirements are not fulfilled, the claim will not be accepted.
- 5.2.5 The sum of EUR 100 will be refunded if the claim is considered valid.
- 5.2.6 A jury is chaired by the World Tournament Director. Other members include:
- 5.2.6.1 Commission President
- 5.2.6.2 International Referee from the Host Federation
- 5.2.6.3 Two International Referees chosen among the Referees from the Tournament. The Commission chooses these jurists prior to the first game of the tournament
- 5.2.6.4 Two substitute International Referees, also chosen by the Commission.
- 5.2.7 The WACA Commission Secretary will be the secretary of the session. S/he may delegate the responsibility with the permission of the session Chair. The position is administrative/non-voting.
- 5.2.8 All members of the Jury, including the substitutes, must be of differing nationalities.
- 5.2.9 Members must attend the entire Tournament.
- 5.2.10 If any member of the Jury is of the same nationality as the teams involved in the claim, one of the substitutes is chosen (except in the case of the President who must be on the Jury).
- 5.2.11 The Jury may listen to all the people it deems helpful to reach a decision.
- 5.2.12 The decision shall be made by a majority using a hand vote. In the event of a tie, the vote of the President will be final.
- 5.2.13 The decision of the Jury is final.
- 5.2.14 The decision of the Jury must be given immediately in writing to the complainant and others involved.
- 5.2.15 The members of the Jury must comply with the secrecy of the deliberations.



5.3 **Match Abandonment**

- 5.3.1 In the event of a match having to be abandoned, the Tournament Director shall decide what subsequent action shall be taken.
- 5.3.2 The World Tournament Director's decision is final.





## **6.0 Ruling Body**

- 6.1 The Ruling Body for all International AquaChallenge Underwater Hockey matches shall be the WAA Commission.
- 6.2 Any inquires concerning the rules by which international matches are played should be addressed to the current World Rules Director of the AquaChallenge Underwater Hockey Association.





**7. AMENDMENT OF RULES**

- 7.1 Opportunity to propose, discuss and approve rule amendments is provided whenever several Federations participate in WAA World Underwater Hockey Championships during which meetings of the World AquaChallenge Association are convened.
- 7.2 Amendments to the rules may be proposed by any Federation at any time between World Championships. The Federation will forward in writing their proposed amendment(s) together with reasons justifying the rule change to the Rules Director for distribution to all participating Federations in good standing with WAA. A ballot will be included on which Federations will record their vote, their reasons for accepting/rejecting the proposed rule change, and the signature of the person authorized to cast the vote. Whenever votes are taken between World Championships, they will be conducted by double registered mail.
  - 7.2.1 Any Federation requesting a postal vote must submit EUR 200 with the proposal to support postal costs.
  - 7.2.2 Votes will be returned to the Rules Director. A simple majority of fifty per cent of the returned votes plus 1 is required for a rule amendment to be approved. The Rules Director will announce the results of a vote within two weeks after the deadline to receive ballots.
  - 7.2.3 In order to be in force for a World Invitational Tournament or a World Championship, approved rule amendments must be distributed to all Federations by double registered mail (where applicable) at least six (6) months in advance of a world event.
  - 7.2.4 Rule change(s) approved unanimously by the Rules Subcommittee meeting prior to a World Championship, which are approved by the World Tournament Director, will be immediately implemented; the World Tournament Director will consult and inform participating team captains two days prior to the commencing of the tournament.

7.3 Rule changes - Agreed Procedure:

	6 Months	12 Months	6 Months	
World Championships	Write-up new rules and send out New Rule Book	Present New Rule Proposals	New proposals sent out to all countries for trailing	World Championships

- 7.3.1 After a World Championship the Rules Director has 6 months to write up the new rules and include them into the Rules of Underwater Hockey, then post the Rules of Underwater Hockey to all participating countries. FAX or e-mail may also be used to distribute the rulebook.
- 7.3.2 The countries then have a further 12 months to present to the Rules Director proposed rule changes or guidance notes.
- 7.3.3 The Rules Director then must distribute all the proposals 6 months prior to the World Championships.
- 7.3.4 Countries then will discuss and/or trial all the proposals and then vote on them at the next World Championship.



## **8.0 Federation Rules Directors, World AquaChallenge Association Members, Rules Commission Delagates, and International Rules Directors**

### 8.1 Rule Directors by Federation

Note: This list is as current as possible but may not be accurate due to changes in the internal structure and procedures of the participating Federations.

<b>FEDERATION</b>	<b>NAME</b>	<b>POSITION</b>
<b>Argentina</b>	Sebastian Viviani <i>guilly@gmail.com</i>	Contact Person
<b>Australia</b>	Simon Talbot <i>Simon.Talbot@utas.edu.au</i>	Chief Referee <b>World Rules Director</b>
<b>Belgium</b>	Romain Alderweireldt <i>romain@buwh.be</i>	Contact Person
<b>Canada</b>	Darryl Brambilla <i>darryl.brambilla@gmail.com</i>	Chief Referee
<b>Colombia</b>	Edison Garcia ????	Director Comité Deportivo
<b>France</b>	Jean Gatignol	Federation Rules Director
<b>Germany</b>	Jan Carmanns <i>jan@carmanns.de</i>	Contact Person
<b>Holland</b>	Erwin Post <i>erwinpost@hotmail.com</i>	Contact Person
<b>Hungary</b>	??? <i>uwhbudapest@gmail.com</i>	Contact address
<b>Ireland</b>	Hugh Nolan <i>nolan_hugh@hotmail.com</i>	Contact Person
<b>Italy</b>	Michele Battaglioli <i>abattaglioli@tin.it</i>	Contact Person
<b>Japan</b>	Shuji Shimonagata <i>shimo@faculty.chiba-u.jp</i>	Contact Person
<b>Jersey</b>	Vic Walker <i>vicwalker@u-b-s.co.uk</i>	Contact Person
<b>Namibia</b>	Nils Wormsbächer <i>infratech@phillogic.com</i>	Contact Person
<b>New Zealand</b>	Andrew Berry <i>bob.andrew@gmail.com</i>	Referees Development Officer
<b>Philippines</b>	Marilen Carpio <i>mgcarpio@easycall.com.ph</i>	Rules Director
<b>Poland</b>	Marek Rejman <i>rejmar@awf.wroc.pl</i>	Contact Person



FEDERATION	NAME	POSITION
<b>Scotland</b>	Tim Dale <i>t_d_dale@hotmail.com</i>	Contact Person
<b>Singapore</b>	Joey Carpio <i>jagcarpio@yahoo.com</i>	President, Singapore Underwater Hockey
<b>Slovenia</b>	Ales Versic <i>ales.versic@guest.arnes.si</i>	President, Singapore Underwater Hockey
<b>South Africa</b>	Pizazz van Schalkwyk <i>kpvs@absamail.co.za</i>	Chief Referee SA <b>World Chief Referee</b>
<b>Spain</b>	Juan Ignacio Urresola <i>just-jurid@ej-gv.es</i>	Contact Person
<b>Turkey</b>	A. Inkilap Obruk <i>iobruk@tnn.net</i>	Contact Person
<b>United Kingdom</b>	Neil Dixon <i>n6dxn2000@yahoo.co.uk</i>	Chief Referee
<b>United States</b>	Doug Roth <i>coachduck@gmail.com</i>	Rules Director
<b>Wales</b>	Colin Deller <i>colin@merrion.demon.co.uk</i>	Contact Person
<b>Yugoslavia</b>	Bozana Ostojic <i>ostob@cmas.org</i>	Contact Person
<b>Zimbabwe</b>	Wayne Whitaker <i>wayne_whitaker@zol.co.zw</i>	Contact Person



## 8.2 Members of the World AquaChallenge Association

NAME	POSITION	Federation
<b>Graham Henderson</b> Apartment 183 538 Little Lonsdale Street Melbourne Australia 3000	President, WAA	Australia
<b>Neil Dixon</b> 19 Collville Terrace Thorpe, Wakefield West Yorkshire WF3 3DZ United Kingdom	Vice-President, WAA	United Kingdom
<b>Carol Rose</b> 53C Appian Way South San Francisco CA 94080-5538 USA	Secretary & Treasurer, WAA	United States
<b>Pizazz van Schalkwyk</b> 9 Fowler Street Sidwell Port Elizabeth 6001 Republic of South Africa	Underwater Hockey Tournament Referee (non-voting member)	Republic of South Africa
<b>Simon Talbot</b> 225 Nelson Road Mount Nelson, TAS, 7007 Australia <i>Simon.Talbot@utas.edu.au</i>	Underwater Hockey Rules Director (non-voting member)	Australia



8.3 DURBAN, SOUTH AFRICA, 2008, PARTICIPANTS AND VOTING DELEGATES AT THE START OF THE RULES COMMISSION MEETING

Chair: Simon Talbot, Assistant World UWH Rules Director  
Secretary: Carol Rose (non-voting)  
Tournament Director: Graham Henderson (non-voting)

Argentina: Sebastian Viviani  
Australia: Simon Talbot  
Canada: Margaret Francis  
Colombia: Edison Garcia-Ramirez  
France: Ulysse Muñoz  
Great Britain: Neil Dixon  
Netherlands: Erwin Post  
New Zealand: Andrew Berry  
South Africa: Pizazz van Schalkwyk (World Tournament Referee)  
Spain: N/A  
Namibia: N/A  
USA: Doug Roth







8.4 International Rules Directors

Anyone requiring use of images published in this document can contact the Technical Editor (Jamie Phillips) via e-mail at [jamie@petrellyn.com](mailto:jamie@petrellyn.com) or visit his website at <http://www.petrellyn.com>.

**Simon Talbot**

225 Nelson Road  
Mount Nelson, TAS, 7007  
Australia

World Rules Director

**Ulysse Munoz**

France

Assistant World Rules  
Director,  
French Version

**Woody Lee**

Smithsonian Marine Station  
701 Seaway Dr.  
Fort Pierce, FL 34949  
USA

Assistant World Rules  
Director,  
English Version

**Maria Callado Egea**

Orchideeveld 11  
2914 PM Nieuwerkerk aan den  
Ijssel  
The Netherlands

Assistant World Rules  
Director,  
Spanish Version

**Jamie Phillips**

Passeig Valldaura 178  
Casa 1, 3<sup>o</sup> 3<sup>a</sup>  
08042 Barcelona  
Spain

Assistant World Rules  
Director,  
Technical Editor





**9.0 (RESERVED)**



A handwritten signature in black ink, likely belonging to Simon Talbot, the Rules Director.